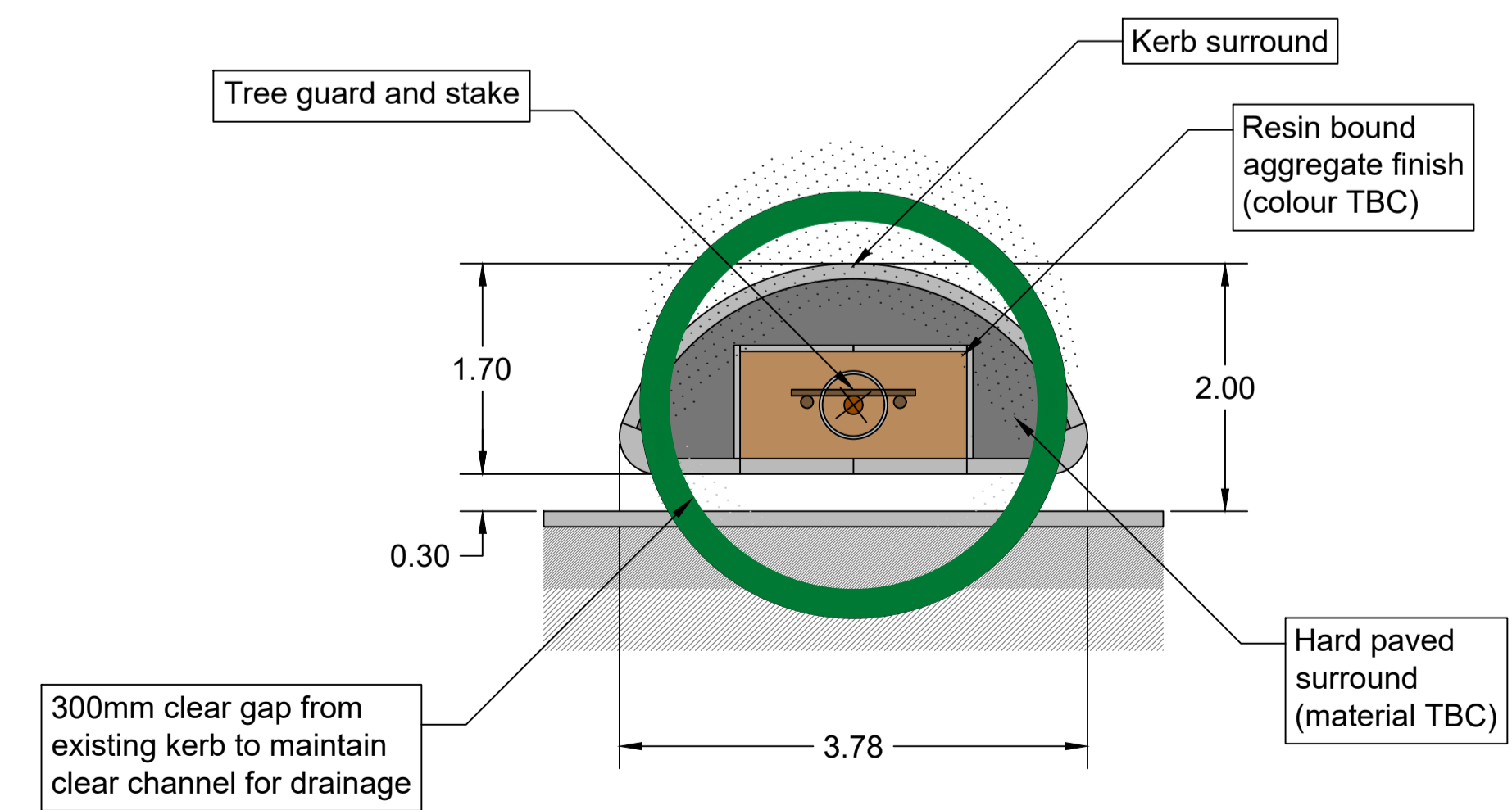


- Notes:**
1. If this drawing has been issued electronically, it is the recipients responsibility to print the drawing to the correct scale.
 2. All dimensions in metres unless stated otherwise. DO NOT scale from this drawing, use written dimensions ONLY. Where additional information is required please contact the Engineer.
 3. All discrepancies are to be reported to the Engineer.

KEY:

- Existing Parking Bays
- Existing Dropped Kerb
- Potential Dropped Kerb Location (evidence of parking at property)
- Existing Tree
- Existing Vegetation
- Existing Owner-Occupier Property
- Potential Tree Build-Out Location (refer to detail)



Proposed Tree Build Out Detail
Scale 1:25

A	01.2019	Tree pit detail revised to resin bound aggregate	BB
Rev.	Date	Details	By



Commercial & Neighbourhood Services | Highway Services
Humber Building | Eastcroft Depot | Nottingham | NG2 3AH

Scheme		Greenfield Street & Highfield Road Street Trees	
Title		General Arrangement Plan	
Drawn	BB	Checked	Authorised
Scale (printed @ A1)	1:500	Date	May 2018
Purpose of drawing		Consultation	

Drawing Number	Revision
IDC/P18051/100	A